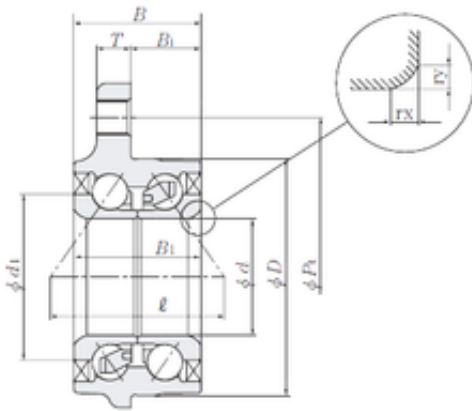


28 mm x 62 mm x 40,5 mm NTN HUB003-1 Angular contact ball bearing

Bearing No. HUB003-1



HUB003-1 Bearing 2D drawings and 3D CAD models

Size	28x62x40.5 mm
Bore Diameter	28 mm
Outer Diameter	62 mm
Width	40,5 mm
d	28 mm
D	62 mm
B	40,5 mm
B1	42,5 mm
rx	3,5 mm
ry	2,5 mm
Pt	86,1 mm
Bi	21 mm
d1	43 mm
T	8 mm
	53,7 Tolerance h14
Weight	0,85 Kg
Basic dynamic load rating (C)	23,4 kN
Dynamic load rating radial (C)	17 kN