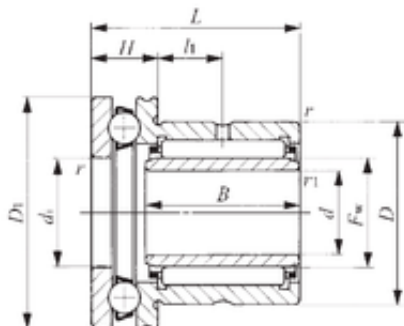


45 mm x 62 mm x 25 mm IKO NAXI 4535 Complex bearing unit



Bearing No. NAXI 4535

NAXI 4535 Bearing 2D drawings and 3D CAD models

Bore Diameter	45 mm
Outer Diameter	62 mm
d	45 mm
Fw	50 mm
D	62 mm
D1	70 mm
B	25 mm
d1	50 mm
r min.	0,6 mm
r1 min.	0,3 mm
H	14 mm
L	35 mm
L1	10 mm
da min.	62 mm
db	49 mm
Weight	0,358 Kg
Dynamic load rating radial (C)	42,2 kN
Dynamic load rating axial (C)	28,8 kN
Static load rating radial (C0)	83,4 kN
Static load rating axial (C0)	60,1 kN
Category	Bearings
Inventory	0.0
Manufacturer Name	IKO
Minimum Buy Quantity	N/A

LOYAL KHR BEARING CORP.

Weight / Kilogram	0
Product Group	B04144