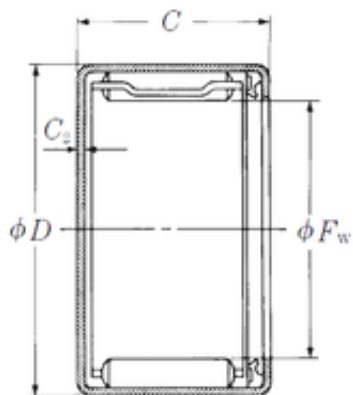


NSK MFJLT-4028 Needle bearing

Bearing No. MFJLT-4028



MFJLT-4028 Bearing 2D drawings and 3D CAD models

Dimensione	40x50x28 mm
Marchio	NSK
Diametro del foro	40 mm
Diametro esterno	50 mm
Larghezza	28 mm
Fw	40 mm
D	50 mm
C	28 mm
C2	1,3 mm
Peso	0,097 Kg
Carico dinamico di base (C)	39 kN